

## 203.2mm/8.0" Optic Dia., Optical Cell Kinematic Mount



Stock #36-476 **2 In Stock**

⊖ 1 ⊕ €3.280<sup>00</sup>

**ADD TO CART**

### Volume Pricing

Qty 1-4	€3.280,00 each
Qty 5-9	€2.894,30 each
Qty 10-25	€2.663,40 each
Need More?	<a href="#">Request Quote</a>

**!** Prices shown are exclusive of VAT/local taxes

### Product Downloads

### General

Adjustable - Tip-Tilt **Type:**

Circular **Type of Optics:**

**Range:**

5°

Inner Diameter (inches):

8.06

Optic Holding Style:

Three Spring-Loaded Clips

### Physical & Mechanical Properties

Clear Aperture CA (inches):

7.62

Clear Aperture CA (mm):

193.5

Optical Centerline (mm):

158.8

Dimensions (inches):

12.00 x 6.00 x 11.50

Dimensions (mm):

304.8 x 152.4 x 292.1

Weight (lbs):

27.0

Construction:

Black Anodized Aluminum, Stainless Steel

Diameter of Compatible Optics (inches):

8.00

Optical Centerline (inches):

6.25

Max. Thickness of Compatible Optics (mm):

39.5

Adjustment Screw Pitch (inches):

0.031

### Threading & Mounting

Size of Compatible Optics (mm):

203.2

### Regulatory Compliance

RoHS 2015:

[Compliant](#)

Certificate of Conformance:

[View](#)

## Product Details

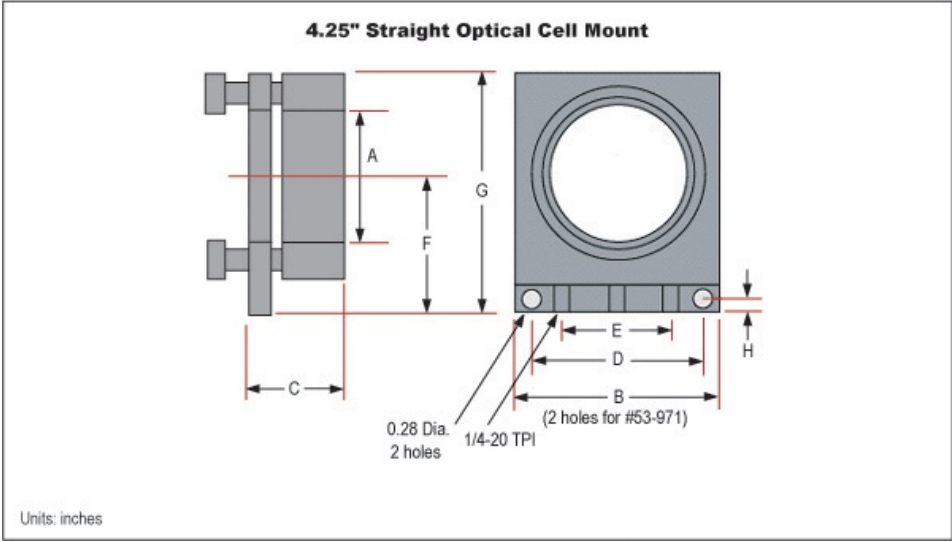
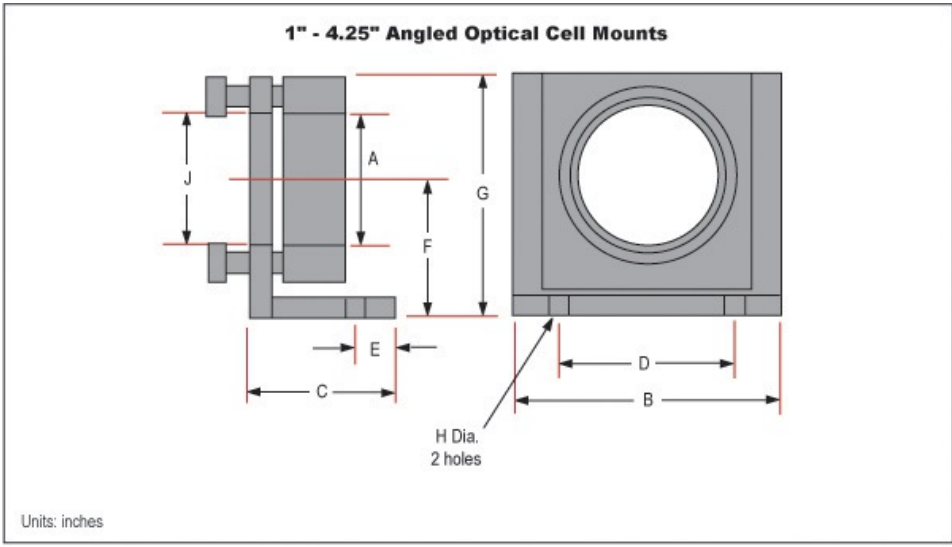
- Robust Kinematic Mounts for Larger Diameter Optics
- Ball Pivot and Fine Pitch Screws Provide Pitch and Roll
- 50% Greater Resolution than Micrometer Adjustments

Optical Cell Kinematic Mounts provide highly stable kinematic movement with two axis tilt (pitch and roll) provided by a precise ball pivot adjustment and an orthogonal three-point suspension. Adjustment is made by three 64-pitch screws (two 64-pitch screws for 1-2" diameter model). For the 6" diameter model, adjustment is made by two 64-pitch screws for and with three 32-pitch screws for 8" up to 12.5" diameter models. Optical Cell Kinematic Mounts feature fine pitch screws, which permit 50% greater resolution than a micrometer. An angled base on the mount allows for stand-alone installation and mounting. These mounts have integral optic cell design allowing optics to be held undistorted.

**Note:** For mounting 12" diameter optics in our 12.5" Diameter Optical Mount, use the 12.5" to 12" Adapter Kit (#12-226). The Adapter Kit and 12.5" Diameter Optical Mount are offered together as #12-227.

## Technical Information

Optic Diameter	A	B	C	D	E	F	G	H	I	J	K	Stock No.
1-2"	2.25-20 TPI	3.75	2.00	2.00	0.38	2.00	3.50	0.28	-	2.12	-	<a href="#">#53-964</a>
3"	3.25-20 TPI	5.75	3.00	4.00	1.25	3.38	6.25	0.28	-	5.00	-	<a href="#">#53-965</a>
4.25"	4.625-20 TPI	5.75	3.00	4.00	1.25	3.38	6.25	0.28	-	5.00	-	<a href="#">#57-872</a>



Optic Diameter	A	B	C	D	E	F	G	H	I	J	K	Stock No.
6"	6.187-32 TPI	8.00	6.00	5.00	5.00	4.50	8.00	0.28	5.75	6.00	1.19	<a href="#">#36-474</a>
8"	8.06	12.00	7.00	10.00	6.00	6.25	11.50	0.28	7.62	9.00	1.60	<a href="#">#36-476</a>
10"	10.06	16.00	8.00	12.00	6.00	8.00	15.00	0.53	9.58	12.50	1.75	<a href="#">#36-478</a>
12.5"	12.56	16.00	8.00	12.00	6.00	8.00	15.00	0.53	12.08	12.50	2.13	<a href="#">#36-480</a>

