

**TECHSPEC® 9mm Diameter, S-Mount Thin Optic Mount**



Stock #63-942 **17 In Stock**

⊖ 1 ⊕ €40<sup>75</sup>

**ADD TO CART**

Volume Pricing	
Qty 1-4	€40,75 each
Qty 5-9	€36,60 each
Qty 10-25	€34,00 each
Need More?	<a href="#">Request Quote</a>

ⓘ Prices shown are exclusive of VAT/local taxes

Product Downloads

**General**

Fixed **Type:**

Optic Mount (Fixed) **Function:**

**Type of Optics:**

## Physical & Mechanical Properties

5.6                      **Extension Length (mm):**

8.6                      **Total Length (mm):**

1.0                      **Min. Thickness of Compatible Optics (mm):**

3.0                      **Max. Thickness of Compatible Optics (mm):**

8.0                      **Clear Aperture CA (mm):**

16.0                      **Outer Diameter (mm):**

## Threading & Mounting

S-Mount                      **Thread Type:**

9.0                      **Diameter of Compatible Optics (mm):**

## Regulatory Compliance

**Compliant**                      **RoHS 2015:**

**View**                      **Certificate of Conformance:**

**Compliant**                      **REACH 241:**

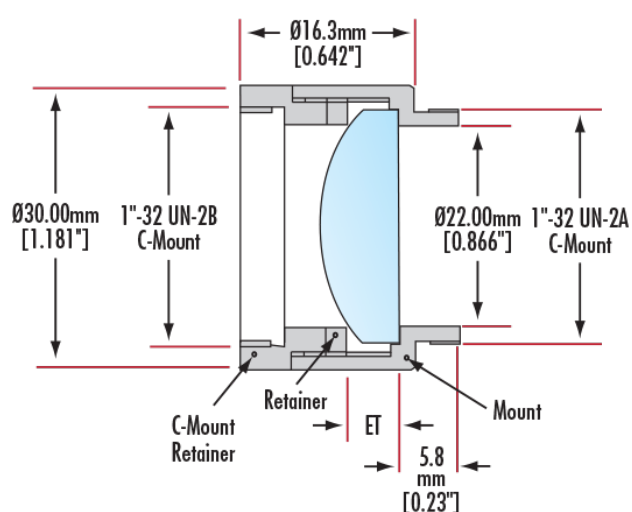
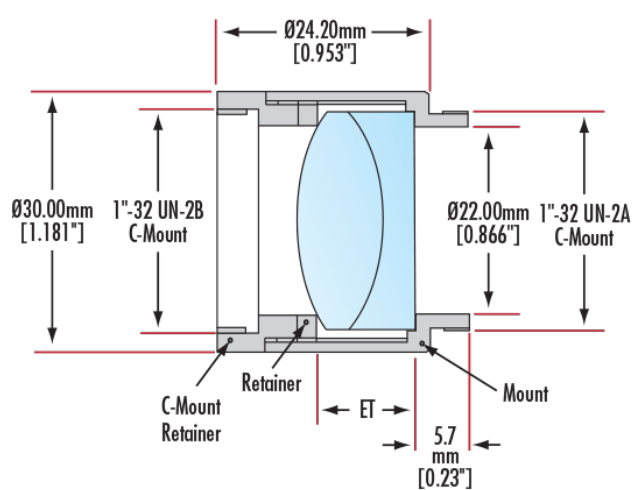
## Product Details

- Mounts for Simple Lenses, Achromats, Filters, or Reticles
- Designed to Integrate with Any C, S, or T-Mount Components
- Optic is Held in Place with Included Retaining Ring

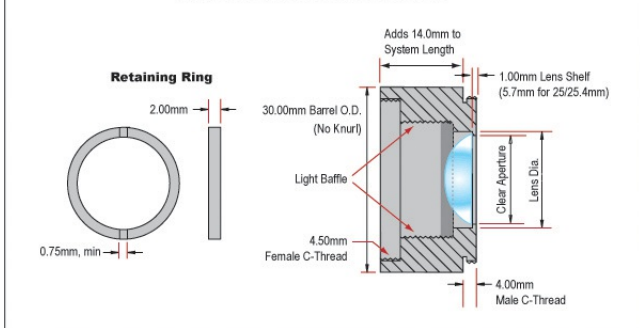
TECHSPEC® C, S, and T-Mount Circular Optic Mounts are designed to mount a variety of circular optical components into C, S, or T-Mount compatible systems. An included threaded retainer ring, designed to accept a standard spanner wrench, securely holds the optical component. These circular optic mounts are compatible with a wide variety of Edmund Optics optomechanical components utilizing C, S, or T-Mount threads, such as [extension tubes](#) and [kinematic mounts](#). TECHSPEC® C, S, and T-Mount Circular Optic Mounts are threaded for 1" x 32TPI, M12 x 0.5, or M42 x 0.75 mounting, with 30mm, 16mm, and 48mm outer diameters, respectively. These mounts are ideal for creating and personalization of a diverse range of optical systems.

**Note:** [#56-353](#), [#56-354](#), [#52-933](#), and [#52-292](#) are all 3-part assemblies

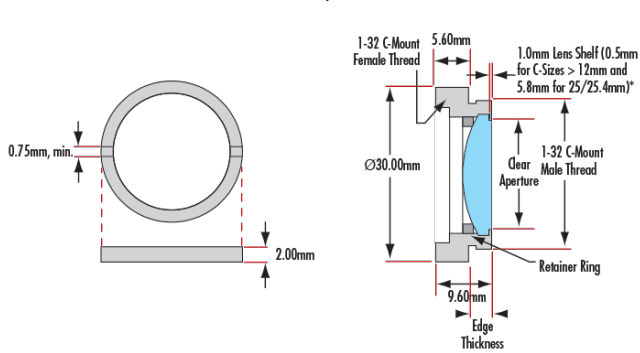
## Technical Information



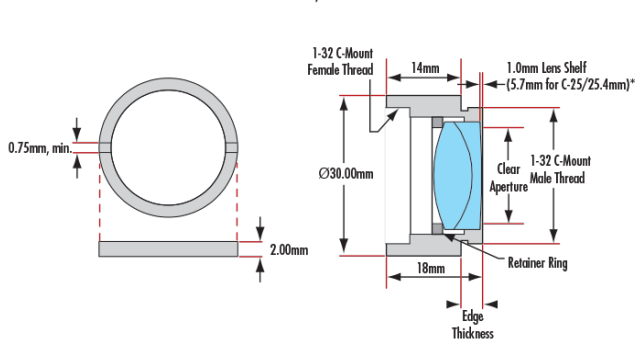
**C-Mount Achromat/Thick Lens Mounts**



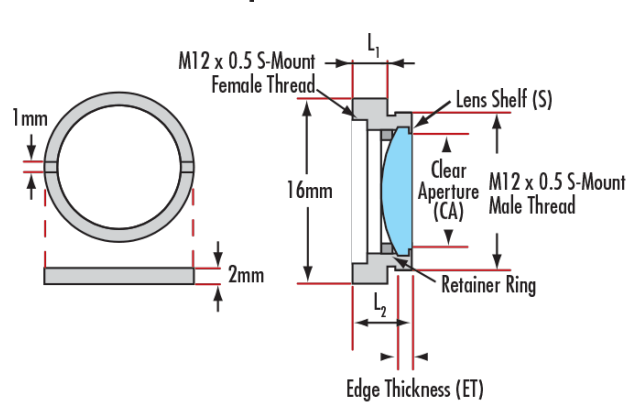
**C-Thread Simple / Thin Lens Mount**



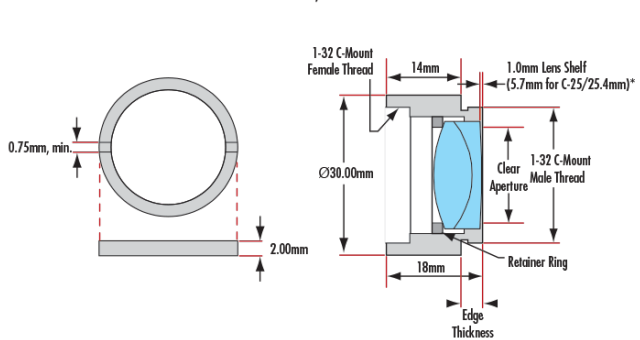
**C-Thread Achromat / Thick Lens Mount**



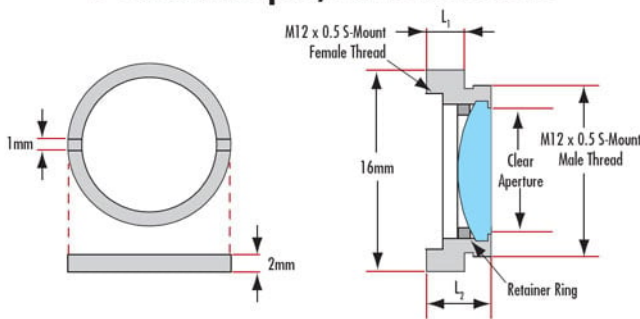
**S-Thread Simple / Thin Lens Mount**



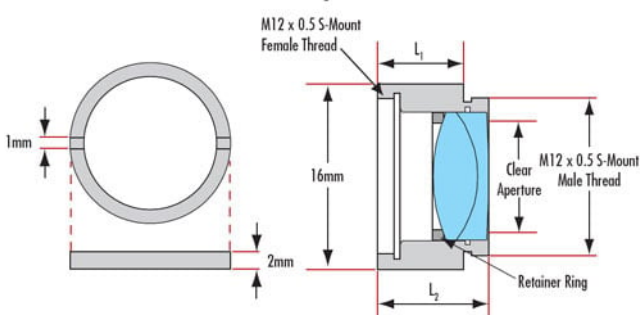
**C-Thread Achromat / Thick Lens Mount**

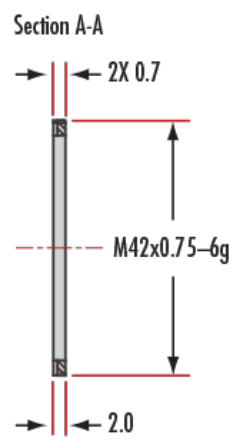
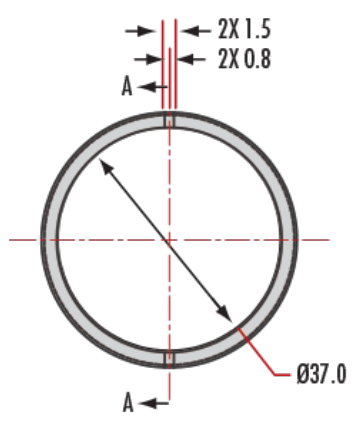


**S-Thread Simple /Thin Lens Mount**



**S-Thread Achromat / Thick Lens Mount**





#58-741