

AI Green 530nm LED Pattern Projector

See More by [Advanced Illumination](#)



Stock #87-448 **1 In Stock**

⊖ 1 ⊕ €775.⁰⁰

ADD TO CART

Volume Pricing	
Qty 1+	€775,00 each
Need More?	Request Quote

ⓘ Prices shown are exclusive of VAT/local taxes

Note: This item requires accessories for use | [Learn More](#)

Product Downloads

General

SL191-530IC **Model Number:**

50,000 **LED Lifetime (hours):**

LED Illuminator **Type of Illumination:**

Note:

Optional Manual Intensity Adjustment [#86-887](#) and [#89-555](#) are Available

Advanced Illumination **Manufacturer:**

Spot Light **Geometry:**

Constant **Illumination Mode:**

Physical & Mechanical Properties

20.8 **Diameter of Compatible Reticle (mm):**

Optical Properties

Green **Color:**

530 **Wavelength (nm):**

Hardware & Interface Connectivity

Flying Leads **Connector:**

Power Supply:
Power Supply Required and Sold Separately.
USA: [#66-855](#)
Europe: [#66-855](#)
Japan: [#89-513](#)
Korea: [#33-773](#)
China: [#66-855](#)

Regulatory Compliance

[Exempt](#) **RoHS 2015:**

[View](#) **Certificate of Conformance:**

[Contains SVHC\(s\)](#) **Reach 247:**

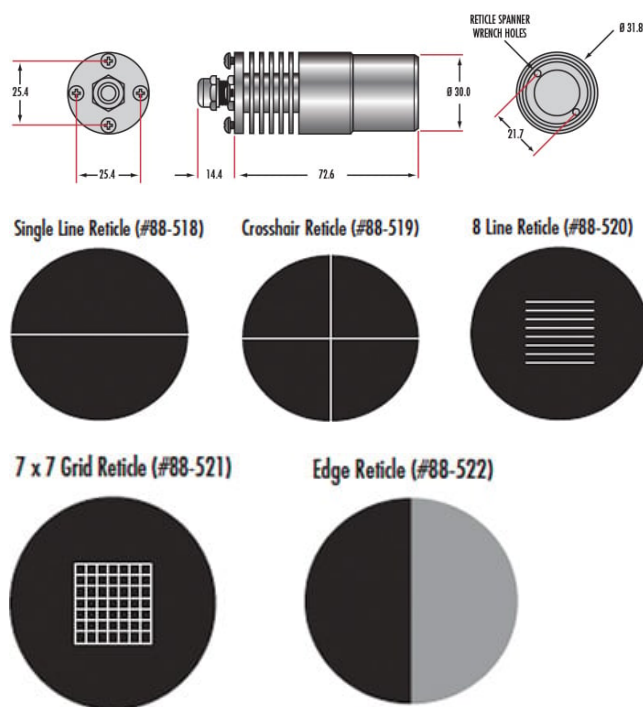
Product Details

- Multiple Wavelength Options Available
- Equip C-Mount [Imaging Lenses](#) to Control Illumination Geometry
- Ideal for 3D Reconstruction and Mapping

Advanced Illumination LED Pattern Projectors are compact illuminators designed for applications requiring structured illumination. These illuminators can be used with any C-mount compatible imaging lens and negatively patterned 21mm reticle to achieve specific structured illumination geometries. When used without a reticle, these illuminators can be adjustable spotlights. Advanced Illumination LED Pattern Projectors are ideal for 3D reconstruction and mapping. The illuminators are available in blue, green, red or white.

Note: [Power supply](#) and C-mount [imaging lens](#) are required and sold separately.</>

Technical Information



Pattern Projector Mounting Configuration

