

[See all 12 Products in Family](#)

DIGIMICRO MF-501 High Performance Measurement Head

See More by [Nikon](#)



DIGIMICRO MF-501 High Performance Measurement Head

Stock **#29-229** [CONTACT US](#)

⊖ 1 ⊕ €3.260⁰⁰

ADD TO CART

Volume Pricing

Qty 1+	€3.260,00 each
Need More?	Request Quote

ⓘ Prices shown are exclusive of VAT/local taxes

Product Downloads

General

Measurement Head **Type:**

MF-501 **Model Number:**

Note:
Includes Standard Measuring Probe
Measuring Force: Downward 1.13 to 1.62N (Variable to about 0.29N), Laterally 0.64 to 1.23N

Manufacturer:

Physical & Mechanical Properties

310 **Weight (g):**

30 (W) x 232 (H) **Dimensions (mm):**

1 μm (20 °C) **Accuracy (μm):**

500 **Speed (mm/s):**

Environmental & Durability Factors

0 to +40 **Operating Temperature (°C):**

-20 to +60 **Storage Temperature (°C):**

Regulatory Compliance

[View](#) **Certificate of Conformance:**

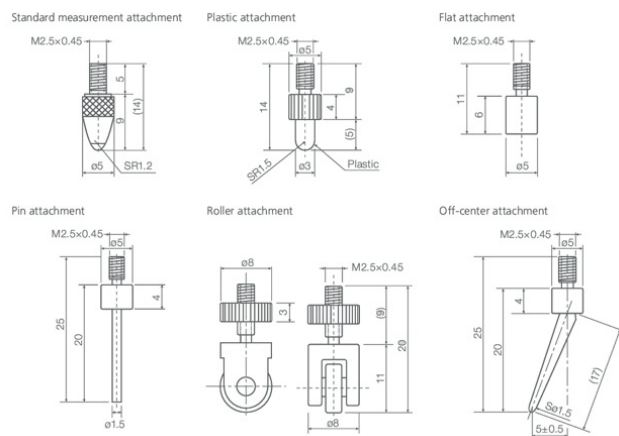
[Contains SVHC\(s\)](#) **REACH 241:**

Product Details

- 1 μm Accuracy (at 20°C) and Measurement Length of 0 - 50mm
- 500mm/sec Maximum Response Speed
- Granite Platform Stand and 6 Measuring Probe Tips Available

The Nikon DIGIMICRO Digital Length Measuring System features a built-in, photoelectric, digital linear scale to provide precise contact-based thickness, depth, and height measurements of industrial materials. This measuring system has a 0 – 50mm measuring range and a 0.1 μm minimum readable value at an accuracy of 1 μm (at 20°C) with a response speed of 500mm/sec. The measurement head has 6 measuring probe tip options such as the standard, pin, plastic, off-center, flat, and roller tips for measurements of various materials. The Nikon DIGIMICRO Digital Length Measuring System is equipped with the MFC-200 Digital Counter for display and resolution switching, direction switching, and display unit switching functions. This measuring system is ideal industrial metrology applications requiring extreme precision and accuracy.

Technical Information



PID4485_Measurement_Probes