

## English Plate for 2.62" Stages, Top Plate 1/4-20



Stock #55-651 **20+ In Stock**

⊖ 1 ⊕ €37<sup>00</sup>

**ADD TO CART**

### Volume Pricing

Qty 1+	€37,00 each
Need More?	<a href="#">Request Quote</a>

ⓘ Prices shown are exclusive of VAT/local taxes

### Product Downloads

### General

English **Type:**

Compatible with 2.62" Stages **Note:**

### Physical & Mechanical Properties

0.375 **Thickness (inches):**

1/4-20 **Center Hole:**

2.62 x 2.62 **Dimensions (inches):**  
 (4) #10 on 1.414" Sq. (2.00" B.C.) **S.H.C.S. C'bore:**

**Regulatory Compliance**

<a href="#">Compliant</a>	<b>RoHS 2015:</b>
<a href="#">Compliant</a>	<b>Reach 224:</b>
<a href="#">View</a>	<b>Certificate of Conformance:</b>

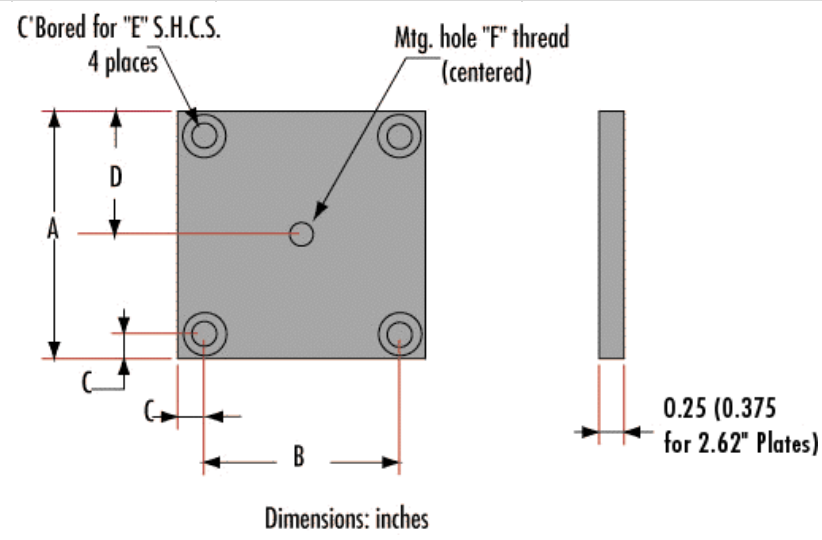
**Product Details**

- Mounts English/Metric Post or Post Holders to Translation Stages
- Center 1/4-20, M6 x 1.0 or M16 x 1.0 Threaded Hole
- Black Anodized Aluminum Construction

These adapter plates permit the mounting of standard English 1/4-20 or Metric M6 x 1.0 and M16 x 1.0 components to the top of our [translation stages](#) and [ball bearing slides](#). Use dimension "A" below to match the width of the top plate with the width of the ball bearing slide or translation stage (not all slides conform to this). Counterbore "E" and spacing "B" must also match the top mounting holes and spacing of the stage or slide. M16 hole is not available for 1.25" top plates. Please see diagram below for more details. All dimensions are in inches.

**Technical Information**

A	B	C	D	Mounting Hole E	Mounting Hole F	Thickness	Stock No.
1.25"	0.75"	0.25"	0.625"	#4	1/4-20	0.25"	<a href="#">#55-646</a>
					M6 x 1.0	6.35mm	<a href="#">#55-647</a>
1.75"	1.00"	0.375"	0.875"	#6	1/4-20	0.25"	<a href="#">#55-648</a>
					M6 x 1.0	6.35mm	<a href="#">#55-649</a>
					M16 x 1.0	6.35mm	<a href="#">#55-650</a>
2.62"	1.414"	0.603"	1.31"	#10	1/4-20	0.375"	<a href="#">#55-651</a>
					M6 x 1.0	9.525mm	<a href="#">#55-652</a>
					M16 x 1.0	9.525mm	<a href="#">#55-653</a>



Dimensions: inches