

[See all 22 Products in Family](#)

## Filter Cube Assembly



#18-508: Filter Cube Assembly



Stock #18-508 **16 In Stock**

− 1 + €368<sup>00</sup>

**ADD TO CART**

### Volume Pricing

Qty 1-4	€368,00 each
Qty 5+	€350,00 each
Need More?	<a href="#">Request Quote</a>

! Prices shown are exclusive of VAT/local taxes

### Product Downloads

### General

#### Dimensions of Compatible Optics (mm):

Excitation Filter: 25/25.4mm Dia.  
Emission Filter: 25/25.4mm Dia.  
Dichroic Mirror: 25.2 x 35.6mm

#### Note:

One required for use with fluorescence filters and/or dichroic filters

## Product Details

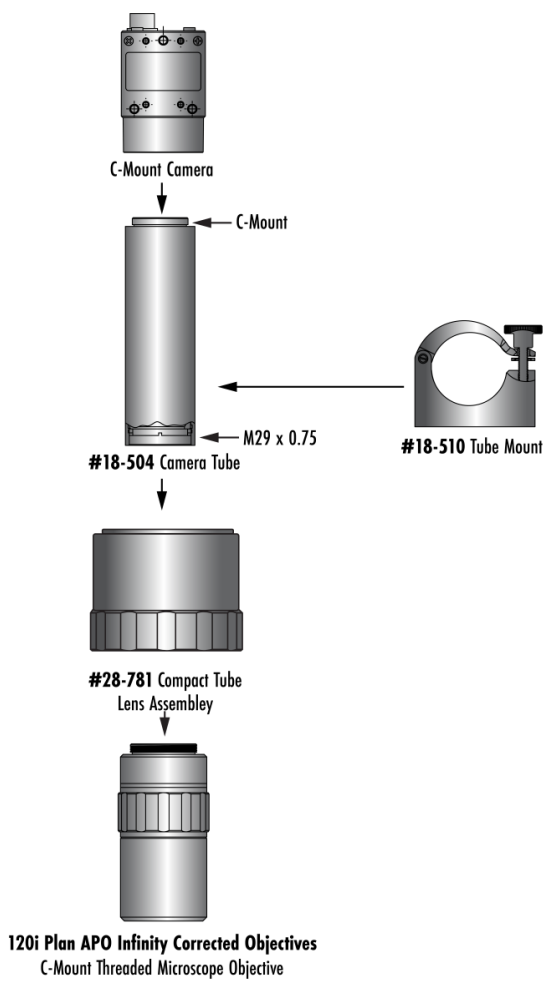
- Up to 43% Smaller than Industry Standard Systems
- Optimized Performance up to 1.1" Sensor
- Ideal for Life Science and Industrial Applications
- Winner of the [2023 Bronze VSD Innovators Award](#)

Edmund Optics® 120i Plan APO Infinity Corrected Objectives are infinite conjugate microscope objectives that offer exceptional image flatness and chromatic correction over 400-700nm. These objectives were designed for a 1.1" sensor to offer a large field of view and reliable image quality for high-throughput imaging applications. Ideal for life science and machine vision applications such as microscopy, flow cytometry, pharmaceutical inspection, and assembly line or fault inspection.

These objectives won the [2023 Bronze VSD Innovators Award](#).

## Technical Information

### Compact Tube Lens System



### Standard Tube Lens System

