

MicroBrite 100mm 455nm Line Light



Stock #74-240 **NEW** 1 In Stock

- 1 + €770.⁰⁰

ADD TO CART

Volume Pricing

Qty 1+	€770,00 each
Need More?	Request Quote

ⓘ Prices shown are exclusive of VAT/local taxes

Product Downloads

General

LED Illuminator **Type of Illumination:**

Compatible with #18-645 external controller **Note:**

Advanced Illumination **Manufacturer:**

Line Light **Geometry:**

Illumination Mode:

Constant

Physical & Mechanical Properties

100.00 **Length (mm):**

123.7 L x 101.6 W x 20.1 D **Dimensions (mm):**

508 **Weight (g):**

Optical Properties

Blue **Color:**

455 **Wavelength (nm):**

0.5-23 **Working Distance (inches):**

Hardware & Interface Connectivity

Flying Leads **Connector:**

24VDC, 1A **Operating Voltage (V):**

Power Supply:
Power Supply Required and Sold Separately.
USA: [#66-855](#)
Europe: [#66-855](#)
Japan: [#89-513](#)
Korea: [#33-773](#)
China: [#66-855](#)

Threading & Mounting

M4 Mounting Screws **Mount:**

Environmental & Durability Factors

0 °C to 35 °C **Operating Temperature (°C):**

Regulatory Compliance

[Exempt](#) **RoHS 2015:**

[View](#) **Certificate of Conformance:**

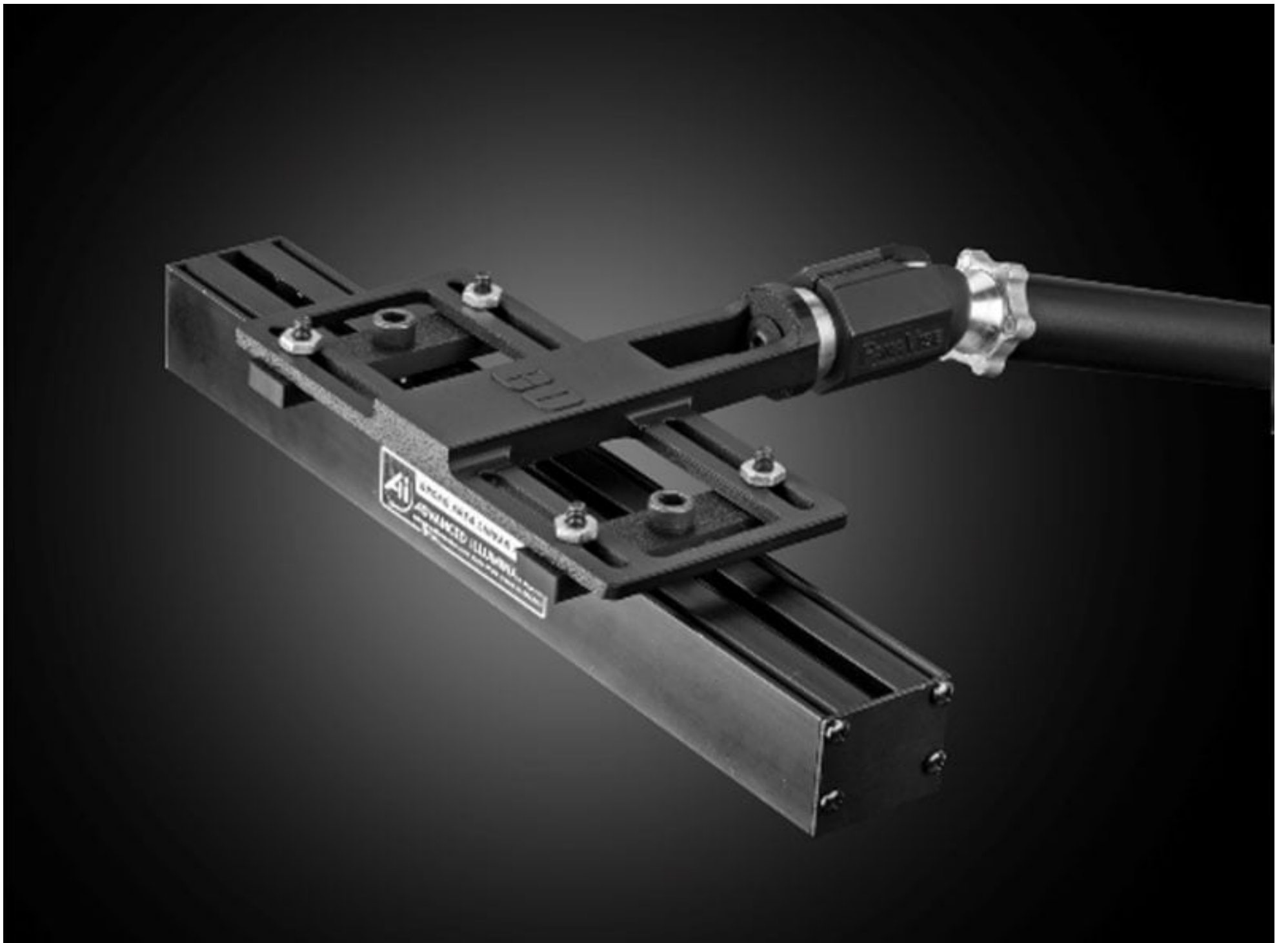
[Contains SVHC\(s\)](#) **Reach 247:**

Product Details

- Ideal For Line Scan Applications
- High Power LEDs in White, Red, and Blue
- Compact Form Factor for Easy Integration

The Advanced Illumination Microbrite™ Line Lights offer a compact solution for line scan applications. These lights are designed with a high intensity illumination profile and high thermal efficiency, enabling a long lifespan even with continuous operation. These illuminators feature an M4 mounting channel for ease of integration and are available in white, blue, and red wavelengths. The Advanced Illumination Microbrite™ Line Lights are ideal for line scan applications such as high speed inspection of materials including textiles, paper, or plastics and inspection of solar panels or LCDs.

[3D-Printable Mount Files](#)



Bar or Line Light Configuration

[Download Now](#)

Designed for use with the [Articulating Arm Mounting Systems](#), these 3D-printed mounts allow easy positioning of lights in brightfield or darkfield setups. The design is based on mounting illumination to 1/4-20" breadboards or into 80/20 extrusion systems, but can be adapted based on user needs. Mounts are available for ring, bar, line, and inline spot lights.



Application Note

Illumination Mounts for Machine Vision Applications

[Read](#)



Video

Assembly of 3D Printed Mounts for Common Illumination Geometries

[Watch](#)