

**TECHSPEC® Mounting Clamp, 79mm Inner Diameter**



Mounting Clamp, 79mm Inner Diameter, #56-026

Stock **#56-026** **13 In Stock**

⊖ 1 ⊕ €251<sup>00</sup>

**ADD TO CART**

Volume Pricing	
Qty 1+	€251,00 each
Need More?	<a href="#">Request Quote</a>

ⓘ Prices shown are exclusive of VAT/local taxes

Product Downloads

**General**

Lens Accessory **Type:**

**Physical & Mechanical Properties**

79.0 **Inner Diameter (mm):**

**Regulatory Compliance**

Compliant

RoHS 2015:

Compliant

Reach 209:

View

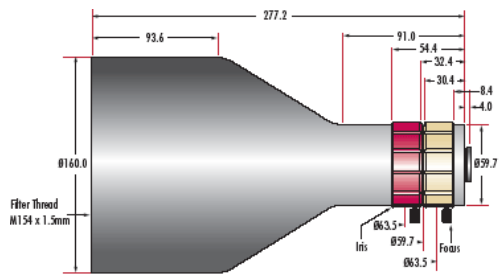
Certificate of Conformance:

## Product Details

- High Resolution Telecentric Lens for Measurement and Gauging
- Up to 5 MegaPixels, 3.45µm Pixel Size Sensors
- Up to 2/3", C-Mount Telecentric Lens
- Magnification from 0.06X to 1X

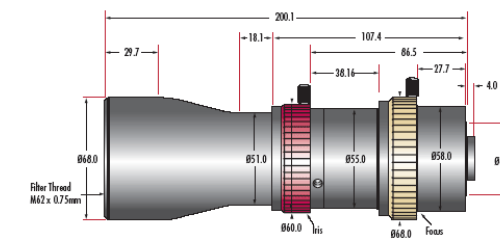
TECHSPEC® GoldTL™ Telecentric Lenses were designed specifically for machine vision and metrology applications. The unique focusable design allows for working distance adjustment, while still providing <math><0.2^\circ</math> telecentricity. These lenses also feature high resolutions, low distortions, and are available for 1/2" or 2/3" sensors. TECHSPEC® GoldTL™ Telecentric Lenses have a front filter thread for easy integration of [color filters](#), [polarizers](#) or other mounted components. Both the iris and focusing adjustment positions can be fixed by set screws to remain secure in high vibration environments.

## Technical Information



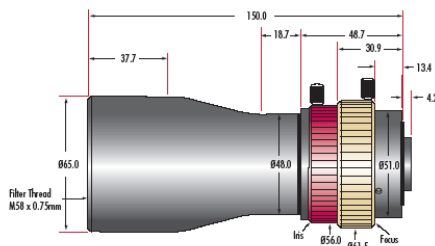
0.08X & 0.06X Telecentric Lens

Units: mm

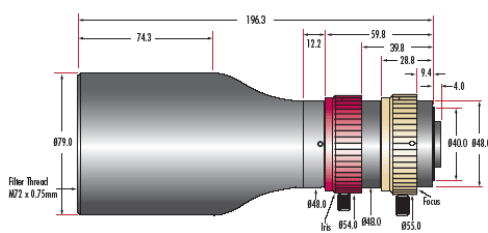


1X & 0.73X Telecentric Lenses

Units: mm



0.5X & 0.36X Telecentric Lenses

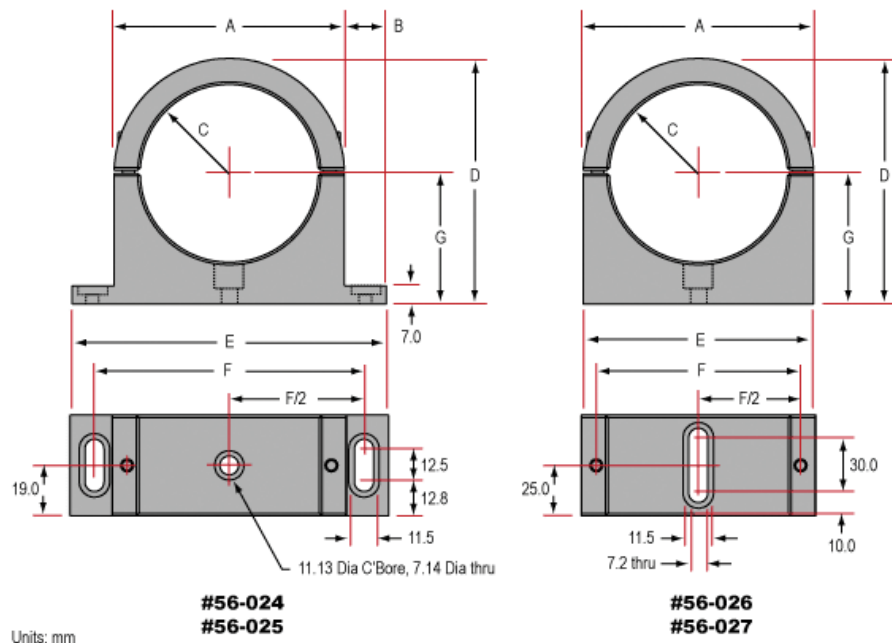


0.25X & 0.18X Telecentric Lenses

Units: mm

Stock No.	A	B	C	D	E	F	G
#56-024	88mm	16mm	34mm	94mm	120mm	101.6mm	50mm
#56-025	85mm	17.5mm	32.5mm	91mm	120mm	101.6mm	48.5mm
#56-026	103mm	—	39.5mm	107mm	103mm	90mm	55.5mm
#56-027	134mm	—	55mm	148mm	134mm	122mm	81mm

**Telecentric Lens Mounts**



**Telecentric Lens Mount for #56-948**

