

[See all 10 Products in Family](#)

Nikon 200mm Tube Lens

See More by [Nikon](#)



#58-520: Nikon 200mm Tube Lens

Stock **#58-520** **20+ In Stock**

⊖ 1 ⊕ €600⁰⁰

ADD TO CART

Volume Pricing	
Qty 1+	€600,00 each
Need More?	Request Quote

● Prices shown are exclusive of VAT/local taxes

Product Downloads

General

Type:
Tube Lens

Manufacturer:
Nikon

Physical & Mechanical Properties

Length (mm):
29.00

Maximum Diameter (mm):
36.0

Optical Properties

Focal Length FL (mm):

200.00

1X

Magnification:

400 - 700

Wavelength Range (nm):

26.5

Field Number (mm):

32.0

Entrance Pupil Diameter (mm):

Threading & Mounting

M38 x 0.5

Mounting Threads:

Regulatory Compliance

[Compliant](#)

RoHS 2015:

[View](#)

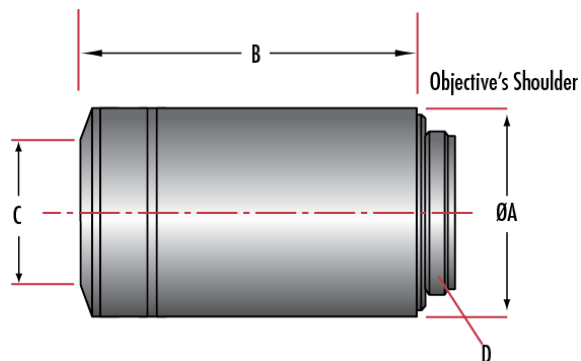
Certificate of Conformance:

Product Details

- Superior UV Transmission
- High Numerical Aperture Designs
- Feature Low Auto-Fluorescence Materials

Nikon CFI Super Fluor Objectives are designed to provide superior transmission to ultraviolet applications operating down to 340nm, including for use with fluorochromes indo-1, fura-2, and fluo-3, or for photo-activation of caged compounds. Nikon CFI Super Fluor Objectives are designed using low auto-fluorescence materials along with high numerical apertures to guarantee sharp, bright fluorescence images. These microscope objectives have been optimized for improved signal-to-noise ratios at short wavelengths.

Technical Information



Dimensions (mm)						
Stock No.	Magnification	Parafocal Length	A	B	C	D
#88-374	4X	60.06	30.0	44.4	19.7	M25 x 0
#88-375	10X	60.06	32.0	58.7	8.0	M25 x 0
#88-376	20X	60.06	33.5	58.9	9.0	M25 x 0
#88-377	40X	60.06	33.0	59.6	7.5	M25 x 0