

[See all 10 Products in Family](#)

## Nikon Type F Non-Fluorescing 30ml PCB Free Immersion Oil

See More by [Nikon](#)



Stock #75-384 NEW CONTACT US

⊖ 1 ⊕ €192<sup>00</sup>

ADD TO CART

| Volume Pricing |                               |
|----------------|-------------------------------|
| Qty 1+         | €192,00 each                  |
| Need More?     | <a href="#">Request Quote</a> |

● Prices shown are exclusive of VAT/local taxes

### Product Downloads

### General

Nikon **Manufacturer:**

### Optical Properties

1.518 **Index of Refraction ( $n_d$ ):**

41 **Abbe Number ( $v_d$ ):**

### Environmental & Durability Factors

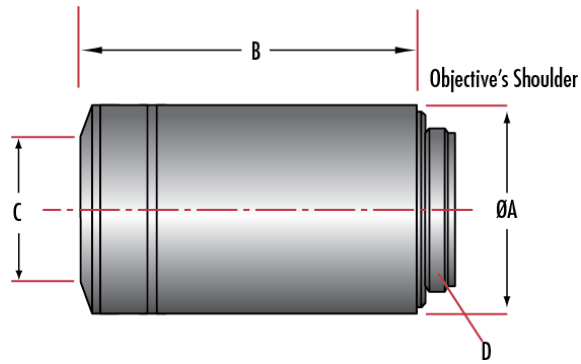
23 **Operating Temperature (°C):**

## Product Details

- Superior UV Transmission
- High Numerical Aperture Designs
- Feature Low Auto-Fluorescence Materials

Nikon CFI Super Fluor Objectives are designed to provide superior transmission to ultraviolet applications operating down to 340nm, including for use with fluorochromes indo-1, fura-2, and fluo-3, or for photo-activation of caged compounds. Nikon CFI Super Fluor Objectives are designed using low auto-fluorescence materials along with high numerical apertures to guarantee sharp, bright fluorescence images. These microscope objectives have been optimized for improved signal-to-noise ratios at short wavelengths.

## Technical Information



| Dimensions (mm) |               |                  |      |      |      |        |
|-----------------|---------------|------------------|------|------|------|--------|
| Stock No.       | Magnification | Parafocal Length | A    | B    | C    | D      |
| #88-374         | 4X            | 60.06            | 30.0 | 44.4 | 19.7 | M25 x0 |
| #88-375         | 10X           | 60.06            | 32.0 | 58.7 | 8.0  | M25 x0 |
| #88-376         | 20X           | 60.06            | 33.5 | 58.9 | 9.0  | M25 x0 |
| #88-377         | 40X           | 60.06            | 33.0 | 59.6 | 7.5  | M25 x0 |