

[See all 14 Products in Family](#)

Olympus UPLFLN 100X (Oil Immersion) Objective

See More by [Olympus](#)



Olympus UPLFLN 100X(Oil Immersion) Objective

Stock #86-823 **3 In Stock**

- 1 + €3.245⁰⁰

ADD TO CART

Volume Pricing

Qty 1+	€3.245,00 each
Need More?	Request Quote

ⓘ Prices shown are exclusive of VAT/local taxes

Product Downloads

General

UPLFLN100XQ2 **Model Number:**

Compatible Tube Lens Focal Length (mm):
Focal Length: 180mm

Microscope Objective **Type:**

Infinity Corrected **Style:**

Olympus
Manufacturer:
Recommended Immersion Oil [#86-834](#)
Note:

Physical & Mechanical Properties

0.26
Field of View (mm):

44.70
Length excluding Threads (mm):

28
Maximum Diameter (mm):

134
Weight (g):

Fixed
Iris Option:

Optical Properties

0.17
Compatible Cover Glass Thickness (mm):

1.80
Focal Length FL (mm):

100X
Magnification:

1.30
Numerical Aperture NA:

0.26
Resolving Power (μm):

0.25
Depth of Field (μm):

0.20
Working Distance (mm):

380 - 900
Wavelength Range (nm):

26.5
Field Number (mm):

45
Parfocal Length (mm):

Oil
Immersion Liquid:

4.68
Entrance Pupil Diameter (mm):

Threading & Mounting

RMS / 20.32mm x 36 TPI
Mounting Threads:

Regulatory Compliance

[Exempt](#)
RoHS 2015:

[View](#)
Certificate of Conformance:

[Contains SVHC\(s\)](#)
Reach 247:

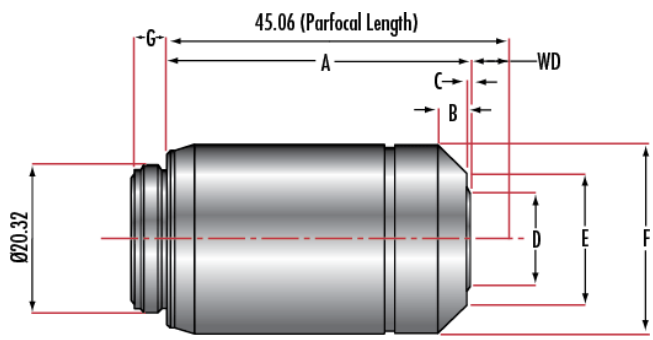
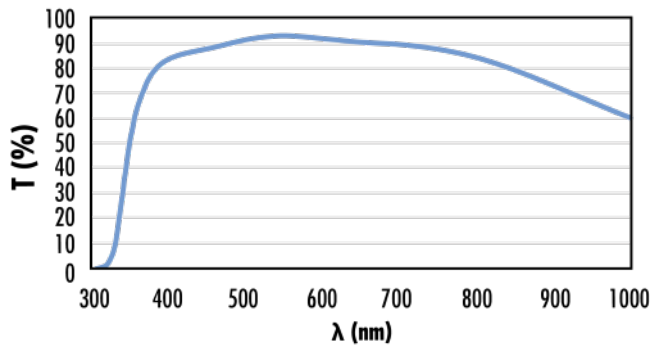
Product Details

- Ideal for Brightfield, Darkfield, DIC, Fluorescence, or Polarization Microscopy
- Excellent Transmission in the UV
- High Numerical Apertures, Oil Immersion, and Variable Iris Options Available
- Additional [Olympus Infinity Corrected Objectives](#) Available

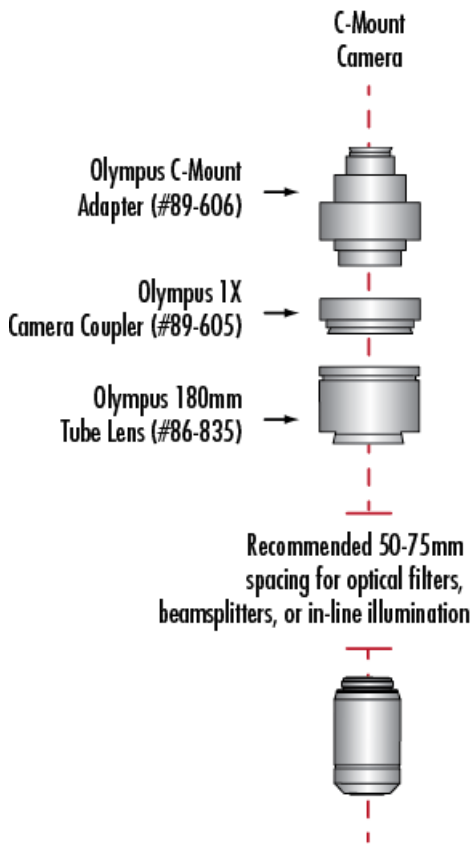
Olympus Plan Fluorite Objectives are multi-purpose objectives that utilize advanced multi-coatings to provide excellent flat field images from the UV to NIR. The objectives offer high signal-to-noise ratios, excellent resolution, and high contrast imaging capability. These objectives are ideal for brightfield microscopy or Nomarski differential interference contrast (DIC) observations, in addition to darkfield or fluorescence microscopy, or specific polarization techniques. Olympus Plan Fluorite Objectives are available in 4X up to 100X magnification. High Numerical Apertures, Oil Immersion, and Variable Iris options are available. Variable Iris options feature a correction collar to adjust the iris and reduce straylight to fine-tune the image as needed. Additional [Olympus Infinity Corrected Objectives](#) are also offered.

Technical Information

#86-823



Using Olympus Objectives with C-Mount Cameras



	Stock #	A	B	C	D	E	F	G
UPLFLN 4X	86-817	27.9	2.8	0.0	18.0	18.0	24.0	4.5
UPLFLN 10X	86-818	34.9	10.1	0.0	13.6	13.6	24.0	4.5
UPLFLN 20X	86-819	42.8	5.3	2.3	9.4	15.8	26.0	4.5
UPLFLN 40X	86-820	44.4	5.1	4.0	8.5	16.0	26.0	4.5
UPLFLN 60X	86-822	44.7	5.2	2.7	8.6	17.0	29.0	4.7
UPLFLN 60X Adjustable Iris (Oil Immersion)	91-765	45.1	6.2	1.7	3.7	20.1	30.5	4.7
UPLFLN 100X (Oil Immersion)	86-823	44.7	5.5	3.0	7.0	17.2	28.0	4.5
UPLFLN 100X Adjustable Iris (Oil Immersion)	91-766	45.1	3.7	3.0	7.0	18.2	29.0	4.5