

Quartz Wollaston Polarizer



Stock #68-820 [CONTACT US](#)

- 1 + €755.⁰⁰

ADD TO CART

| Volume Pricing | |
|----------------|-------------------------------|
| Qty 1+ | €755,00 each |
| Need More? | Request Quote |

ⓘ Prices shown are exclusive of VAT/local taxes

Product Downloads

General

Linear Polarizer **Type:**

Physical & Mechanical Properties

10.0 **Clear Aperture CA (mm):**

25.40 **Diameter (mm):**

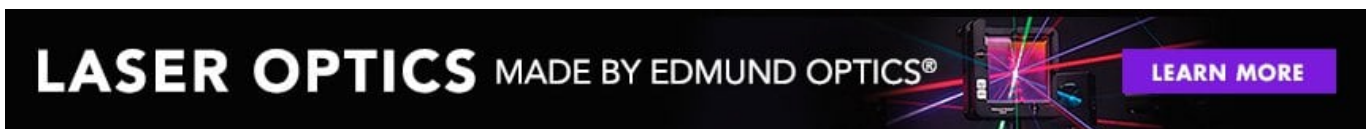
28.00 **Length (mm):**

| Dimensional Tolerance (mm): | |
|--|--|
| +0.0/-0.2 | |
| Construction: | |
| Crystalline Wollaston Polarizer | |
| Length Tolerance (mm): | |
| ±0.1 | |
| Housing: | |
| Black Anodized Aluminum | |
| Optical Properties | |
| Extinction Ratio: | |
| 20,000:1 | |
| Substrate: <input type="checkbox"/> | |
| Quartz | |
| Surface Quality: | |
| 20-10 | |
| Transmitted Wavefront, P-V: | |
| λ/4 @ 632.8nm | |
| Beam Deviation (arcmin): | |
| <3 | |
| Beam Separation (°): | |
| 2 - 3 2+/-0.1 @ 1064nm | |
| Wavelength Range (nm): | |
| 200 - 2300 | |
| Damage Threshold, By Design: <input type="checkbox"/> | |
| 10 J/cm ² @ 1064nm, 20ns | |
| Separation Angle (°): | |
| 2 - 3 (2±0.1@1064nm) | |
| Regulatory Compliance | |
| Certificate of Conformance: | |
| View | |

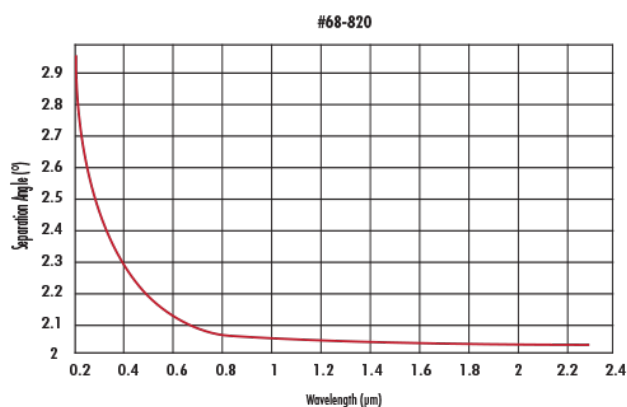
Product Details

- Multiple Polarization Materials Available
- UV to IR Ranges Offered
- Large Deviation of Ordinary and Extraordinary Rays
- [Rochon Polarizers](#) Also Available

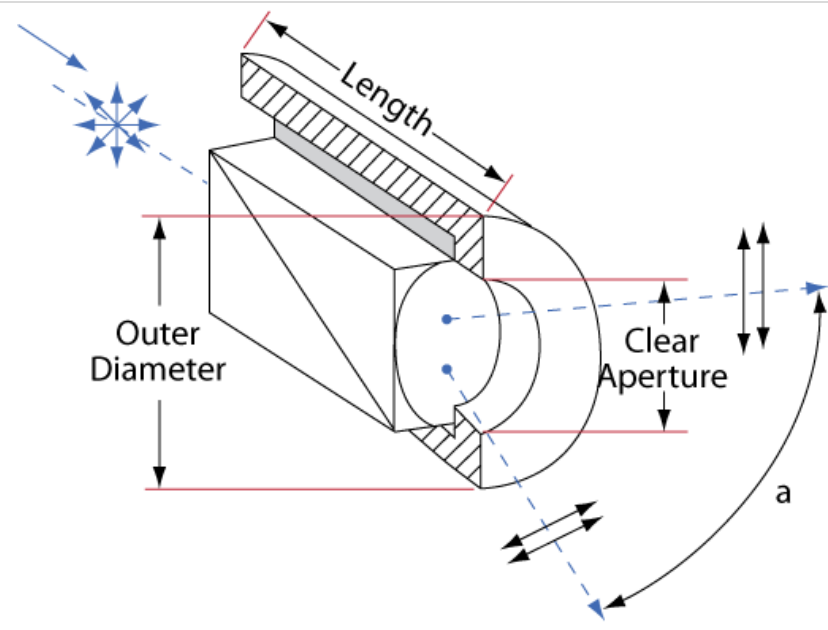
Wollaston Polarizers consist of two birefringent right angle prisms cemented together, such that their optical axes are perpendicular. As light passes through the polarizer, a symmetric deviation between the ordinary and extraordinary beams is created. The resulting beams are of orthogonal linear polarization states and have equal intensity and a large angular deviation. Users have access to both the ordinary and extraordinary rays, making them ideal for laboratory experiments.



Technical Information



| Stock No. | Outer Diameter | Clear Aperture | Length | Separation Angle α (°) |
|-------------------------|----------------|----------------|--------|---------------------------|
| #68-820 | 25.4mm | 10.0mm | 28.0mm | 2 - 3 (2 @ 1064nm) |
| #68-821 | 25.4mm | 10.0mm | 18.0mm | 16.7 - 22.5 (19 @ 980nm) |
| #68-822 | 25.4mm | 10.0mm | 18.0mm | 19.6 - 23.3 (20 @ 1550nm) |
| #68-823 | 25.4mm | 10.0mm | 18.0mm | 15 - 27 (16 @ 800nm) |



;