

[See all 3 Products in Family](#)

TECHSPEC® RMS/C-Mount Turret



C-Mount Manual Objective Turrets

Stock **#19-535** **3 In Stock**

⊖ 1 ⊕ €900⁰⁰

ADD TO CART

Volume Pricing	
Qty 1-2	€900,00 each
Qty 3+	€855,30 each
Need More?	Request Quote

ⓘ Prices shown are exclusive of VAT/local taxes

Product Downloads

Threading & Mounting

Thread Type:

C-Mount
Objective 0.8" x36 TPI (RMS)

Regulatory Compliance

RoHS 2015:

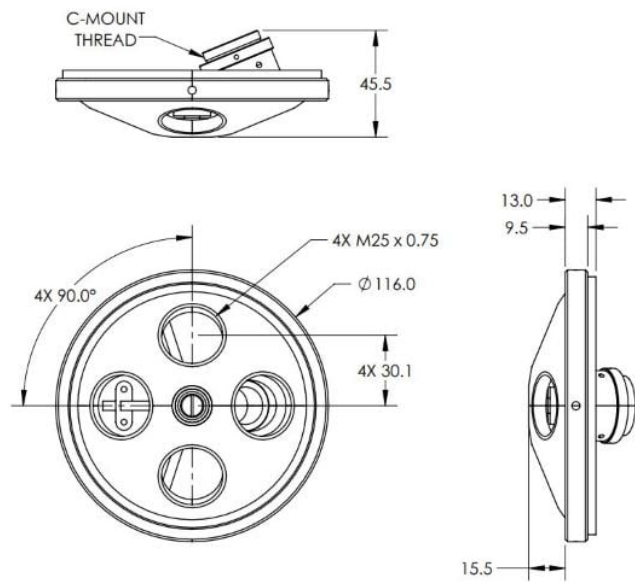
[Compliant](#)

Product Details

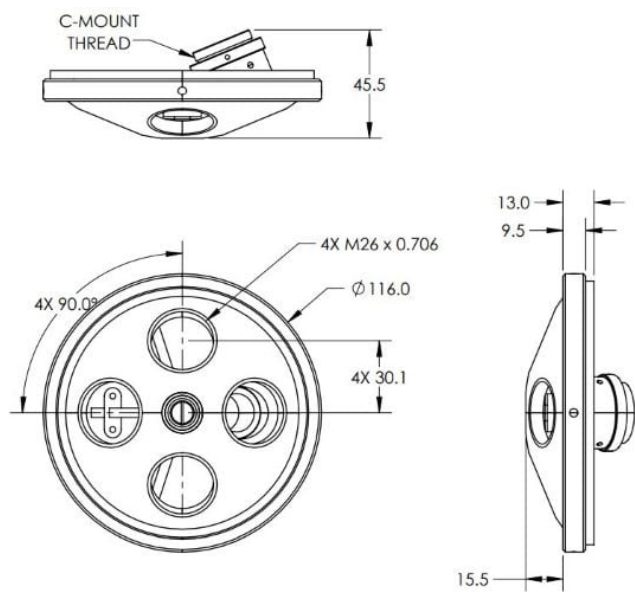
- C-Mount Tube System Compatibility for Creating Modular Microscope System
- Four Objective Positions
- **Mitutoyo** and **Nikon** Objective Compatibility

C-Mount Manual Objective Turrets are ideal for creating modular microscope systems using standard **C-Mount Tube System Components**. Edmund Optics' broad range of C-mount Tube System Components offers maximum versatility when designing a microscope system, with direct C-Mount camera compatibility for imaging integration. With additional accessories, these objective turrets can be adapted to **S-Mount**, **T-Mount**, **ID1 (SM1)**, and **Multi-Element Tube Systems**, expanding their potential uses. C-Mount Manual Objective Turrets are offered with M26 x 0.706 threads for **Mitutoyo Objectives** and M25 x 0.75 threads for **Nikon Objectives**. Each turret has four objective positions to maximize imaging system flexibility.

Technical Information



#19-533



#19-534