

[See all 2 Products in Family](#)

## 5.0 - 100.0mm Optic Dia., Self-Centering Jaw Clamp



Self-Centering Jaw Clamps

Stock **#16-078** **5 In Stock**

⊖ 1 ⊕ €410<sup>00</sup>

**ADD TO CART**

### Volume Pricing

Qty 1-4	€410,00 each
Qty 5+	€361,80 each
Need More?	<a href="#">Request Quote</a>

ⓘ Prices shown are exclusive of VAT/local taxes

### Product Downloads

### General

Fixed **Type:**  
Circular **Type of Optics:**

### Physical & Mechanical Properties

166 **Height (mm):**

Outer Diameter (mm):

138

Weight (lbs):

0.68

Construction:

Black Anodized Aluminum

### Threading & Mounting

Size of Compatible Optics (mm):

5.0 - 100.0

Compatible Post:

M6 x 1.0, 1/4-20

### Regulatory Compliance

RoHS 2015:

Compliant

Certificate of Conformance:

[View](#)

Reach 247:

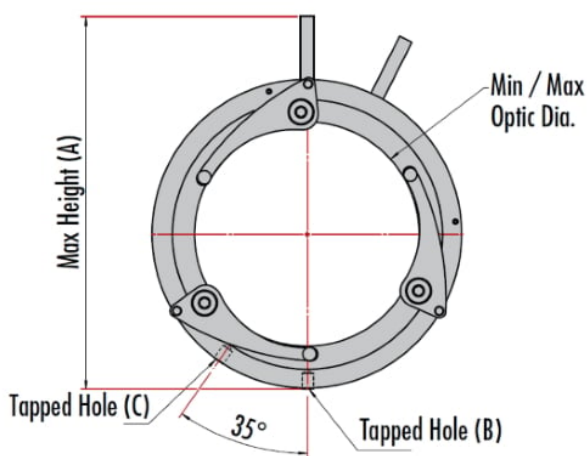
Compliant

## Product Details

- Two Mount Sizes Available, for 4mm-36mm and 5mm-100mm Dia. Optics
- Optical Centerline Remains Constant Regardless of Optical Diameter
- Mounts Feature Both Metric and English Tapped Mounting Holes

Self-Centering Jaw Clamps are ideal for easily interchanging optics of different diameters in a system while maintaining a constant optical centerline of the system. Mounts are available for either mounting 4mm to 36mm diameter optics ([#16-077](#)) or 5mm to 100mm diameter optics ([#16-078](#)). The small jaw clamp features both M4 x 0.7 and 8-32 tapped mounting holes, while the large jaw clamp features both M6 x 1.0 and 1/4"-20 tapped mounting holes. The stainless-steel tipped jaws feature a v-groove to help vertical alignment of thinner optics. Self-Centering Jaw Clamps are directly mountable to [TECHSPEC® Stainless Steel Mounting Posts](#) and [Pedestal Posts](#).

## Technical Information



Outer Diameter (mm)	Min. Optic Diameter (mm)	Max. Optic Diameter (mm)	A (mm)	B	C	Stock No.
58	4	36	74	#8-32	M4 x 0.7	<a href="#">#16-077</a>
138	5	100	166	1/4-20	M6 x 1.0	<a href="#">#16-078</a>