

## Tilt Stage Metric in Two Axes



Stock #55-459 **14 In Stock**

- 1 + €382.<sup>00</sup>

**ADD TO CART**

### Volume Pricing

|            |                               |
|------------|-------------------------------|
| Qty 1-9    | €382,00 each                  |
| Qty 10+    | €337,20 each                  |
| Need More? | <a href="#">Request Quote</a> |

**!** Prices shown are exclusive of VAT/local taxes

### Product Downloads

### General

Metric **Type:**

### Physical & Mechanical Properties

Tip-Tilt **Type of Movement:**

60 x 60 **Stage Size (mm):**

±2.5                      Travel (°):

M16 x 1                    Center Hole:

Aluminium Stage                      Construction:

0.25                      Leadscrew Pitch (mm):

3                              Load Capacity (kg):

0.22                      Weight (kg):

## Hardware & Interface Connectivity

Fine Screw (100 Pitch)                      Type of Drive:

## Threading & Mounting

(1) M16 x 1, (2) M6 x 1, (4) M4 x 0.7                      Mounting Threads:

## Regulatory Compliance

[Exempt](#)                      RoHS 2015:

[View](#)                      Certificate of Conformance:

[Contains SVHC\(s\)](#)                      Reach 247:

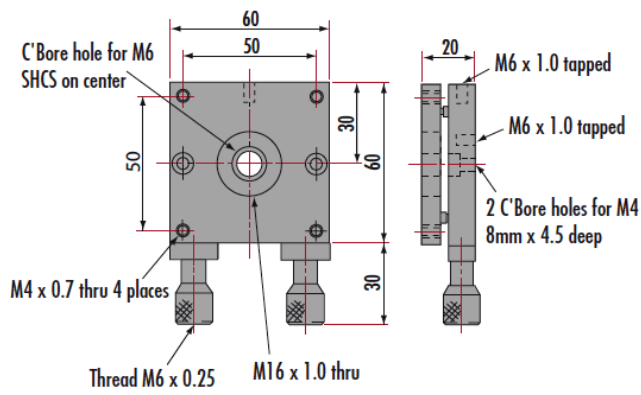
## Product Details

- Tilt Control in Two Axes (±2.5°)
- Multiple Tapped and C'bored Holes for Easy Mounting
- Black Anodized Aluminum

Ideal for tilt control of both optics and mounting posts. Platform top plate has 4 M4 tapped holes at each corner (on 50mm centers) and one M16 tapped hole on center. Platform bottom plate has 2 counterbore holes for M4 SHCS, one M6 SHCS (on center) counterbore hole for mounting to our [Metric Breadboards and Base Plates](#), and one M6 tapped hole for mounting to our [Metric Stainless Steel Mounting Posts](#). Platform also features one M6 tapped hole for mounting vertically. Stage includes two M4 stainless steel socket head cap screws.

Compatible with the following stages: [#54-687](#), [#55-032](#), [#55-459](#), [#55-527](#), [#55-840](#), [#55-841](#), [#56-335](#), and [#56-336](#).

## Technical Information



Units: mm