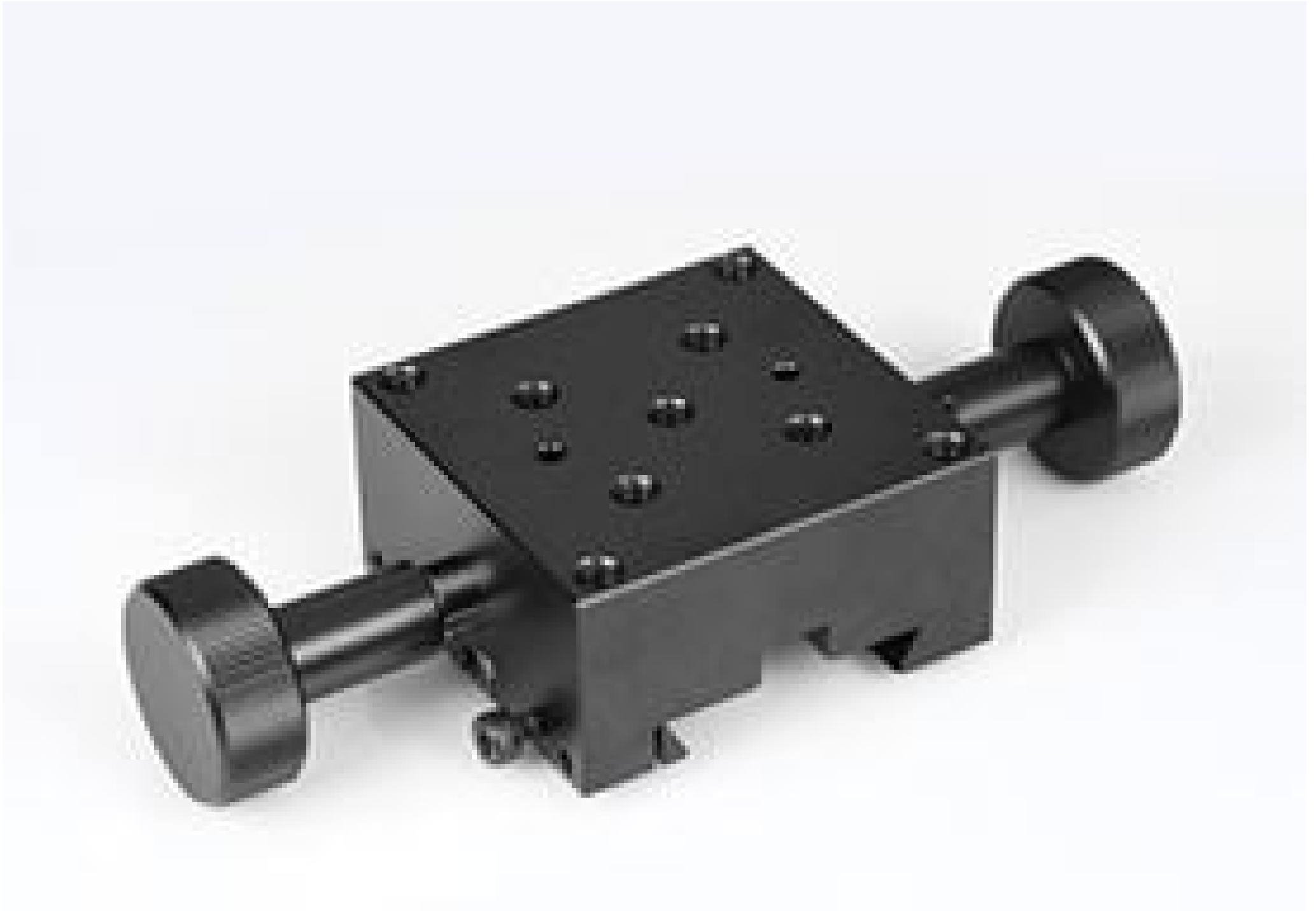


**TECHSPEC® Two Knob Stage Only**



#59-332

Stock **#59-332 20+ In Stock**

⊖ 1 ⊕ €176.<sup>00</sup>

**ADD TO CART**

Volume Pricing	
Qty 1+	€176,00 each
Need More?	<a href="#">Request Quote</a>

ⓘ Prices shown are exclusive of VAT/local taxes

Product Downloads

**General**

English **Type:**

Two Knob Carrier **Note:**

**Physical & Mechanical Properties**

Linear (X) **Type of Movement:**

**Stage Size (mm):**

62 x 60

Black Anodized Aluminum **Construction:**

0.1 (Vernier) **Graduation (inches):**

5 **Load Capacity, Normal (kg):**

2 **Load Capacity, Vertical (kg):**

N/A **S.H.C.S. C'bore:**

0.71 **Travel Per Knob Rotation (inches):**

### Hardware & Interface Connectivity

Rack and Pinion **Type of Drive:**

### Threading & Mounting

(9) 1/4-20 **Mounting Threads:**

### Regulatory Compliance

[Exempt](#) **RoHS 2015:**

[Contains SVHC\(s\)](#) **Reach 224:**

[View](#) **Certificate of Conformance:**

## Product Details

- Carriers Feature One or Two Knobs, with English or Metric Mounting Hole Patterns
- Available with Both English and Metric Track Lengths
- Preassembled Common Carrier and Track Combinations are Available
- Vernier Scales of 0.01" or 0.1mm Resolution

TECHSPEC® Long Travel Rack and Pinion Stages are designed to allow for easy, long, linear adjustments while also maintaining precision and control. Available in English or Metric versions, these stages can be easily integrated into any system requiring controlled coarse positioning adjustments. Each track features an extruded dovetail design with a helical rack and pinion mechanism, ensuring smooth adjustments that can be locked with the included tension screw and Allen wrench. All TECHSPEC® Long Travel Rack and Pinion Stages feature a Vernier scale with a resolution of 0.01" or 0.1mm for accurate repeatable adjustments. Tracks feature either 1/4"-20 or M6 counter bored holes for mounting directly to a standard breadboard.

**Note:** Tracks and Carriers are available separately. English carriers can be used for Metric tracks and vice versa. For vertical configurations, use the Z-Axis Configuration Bracket (#11-165) which is compatible with both English and Metric Tracks and can be mounted to Metric or English bench plates/breadboards.

## Technical Information

