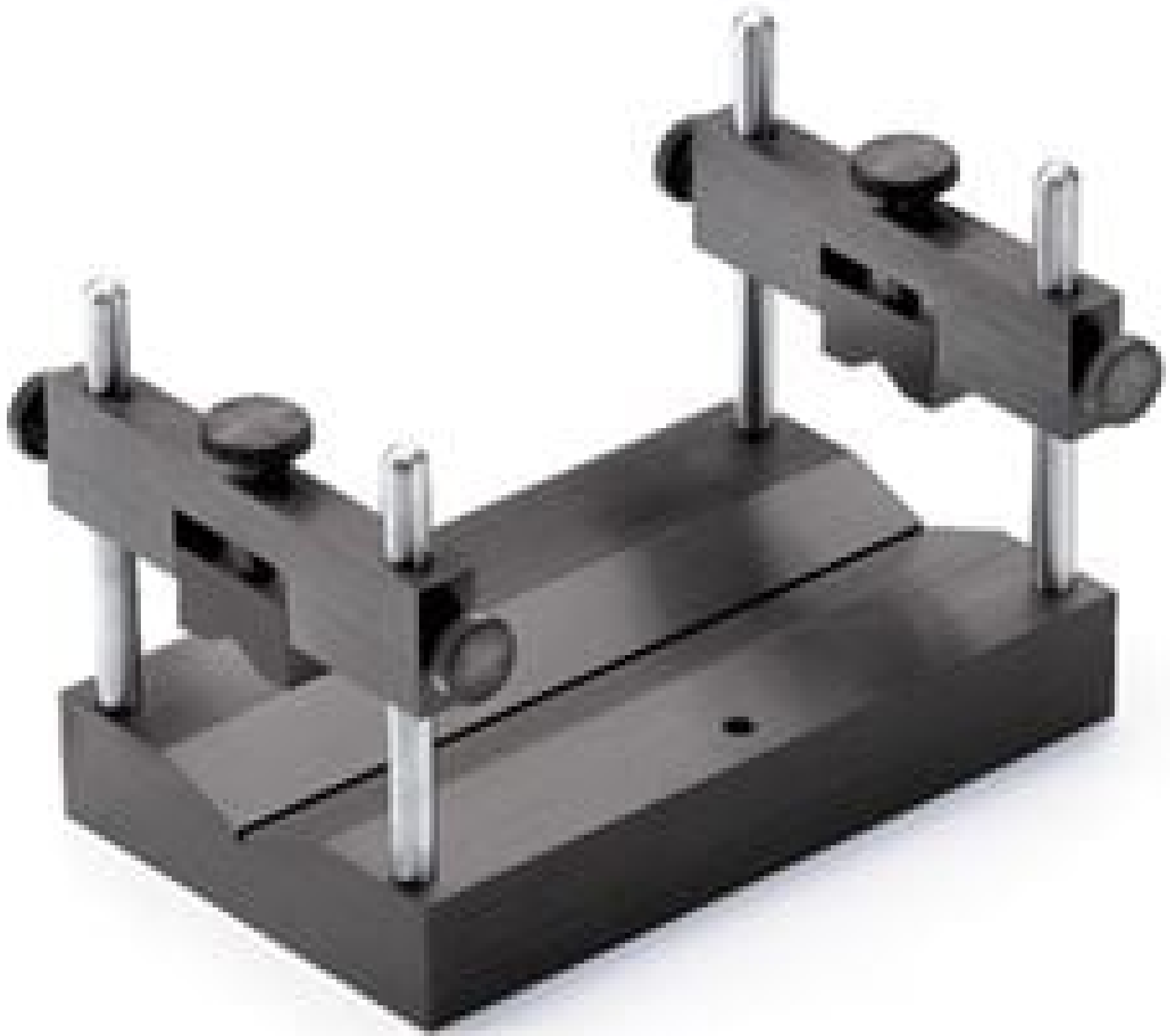


## V-Block Base with Clamps



Stock #03-665 **10 In Stock**

- 1 + €305<sup>00</sup>

**ADD TO CART**

### Volume Pricing

Qty 1-4	€305,00 each
Qty 5-9	€269,80 each
Qty 10-49	€248,50 each
Need More?	<a href="#">Request Quote</a>

! Prices shown are exclusive of VAT/local taxes

### Product Downloads

### General

Fixed **Type:**

Cylindrical Tube **Type of Optics:**

### Physical & Mechanical Properties

**Construction:**  
Black Anodized Aluminum, Stainless Steel Post

## Threading & Mounting

Size of Compatible Optics (mm):  
5.6 - 67.9

Compatible Post:  
1/4-20

## Regulatory Compliance

RoHS 2015:  
Compliant

Reach 224:  
Compliant

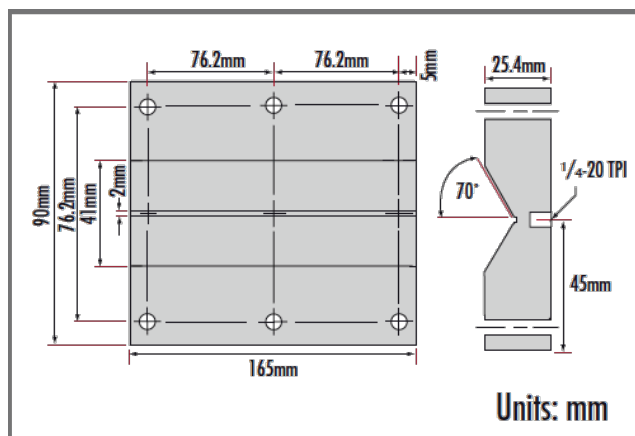
Certificate of Conformance:  
View

## Product Details

- Adjustable Height Bar Clamp Included with [#03-665](#)
- Ideal for Mounting Laser Tubes and Large Optical Elements
- 1/4-20 Tap Hole Allows Mounting to 0.50" Diameter Post

Our V-Block base is ideal for mounting laser tubes and optical elements thick enough to stand vertically on edge (such as most achromats). The six 1/4-20 tap holes around the base are designed to accept clamp posts, but may also be used to mount the V-Block. A 1/4-20 tap hole in the center of the base allows mounting to any 0.50" diameter post. Adjustable height bar-type clamp secures components in the V-Block.

## Technical Information



V-Block Base