

[See all 13 Products in Family](#)

Zero Aperture, 12mm Max. Aperture, Mounted Iris Diaphragm



Stock #23-278 **2 In Stock**

⊖ 1 ⊕ €77⁰⁰

ADD TO CART

Volume Pricing	
Qty 1-4	€77,50 each
Qty 5-9	€68,20 each
Qty 10-25	€62,90 each
Need More?	Request Quote

ⓘ Prices shown are exclusive of VAT/local taxes

Product Downloads

General

Mounted **Type:**

Physical & Mechanical Properties

Maximum Aperture (mm):

12.0	
39.0	Outer Diameter (mm):
Construction: Black Anodized Aluminum, Black Spring Steel Leaves, Stainless Steel Pins	
21.0	Inner Diameter (mm):
3.00	Lever Diameter (mm):
11.80	Lever Length (mm):
Two Sets of 5	Number of Leaves:
6.20	Thickness (mm):

Optical Properties

0.00	Minimum Aperture (mm):
------	-------------------------------

Threading & Mounting

8-32	Mounting Threads:
4-40	Set Screw Thread:

Regulatory Compliance

Exempt	RoHS 2015:
View	Certificate of Conformance:
Contains SVHC(s)	Reach 235:

Product Details

- Provide Total Light Extinction When Closed
- Aperture Sizes Up to 75mm
- Mounted Options Available

Zero Aperture Series Iris Diaphragms are designed and manufactured using the same high-quality movements as our [Standard Series Iris Diaphragms](#) but with the added benefit of total light extinction. This type of control is often used in systems where the dark signal (background noise) must be measured for calibration. For each iris, there are two additional relief leaves (not listed in table) that are not visible. These diaphragms are offered with maximum apertures of 12 – 75mm and have outer diameters ranging from 21 to 102mm. Zero Aperture Series Iris Diaphragms feature two sets of leaves which are mounted on different tiers and are moved by one lever.

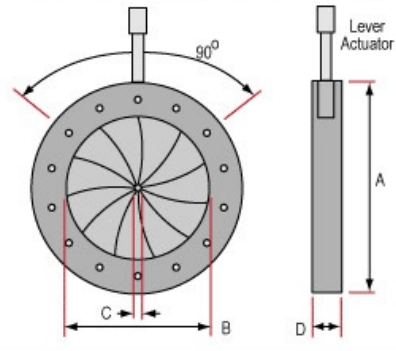
For specific OEM application assistance, please contact our [Applications Engineering Department](#).

Note: [Iris Diaphragm Mounts](#) sold separately.

Technical Information

Outer Diameter A	Maximum Aperture B	Minimum Aperture C	Thickness D	Stock No.	
102mm	75mm	0mm	9.1mm	#64-506	
21mm	12mm		6.2mm	#53-906	
29mm	12mm		6.1mm	#62-649	
38mm	25mm			#53-907	
54mm	37mm			7.5mm	#53-908
72mm	50mm			9.1mm	#53-909
37mm	12mm			6.2mm	#62-653
54mm	25mm			6.1mm	#62-654
67mm	37mm			7.5mm	#62-655
88mm	50mm			9.1mm	#62-656

Zero Aperture Series Iris Diaphragms



Units: mm